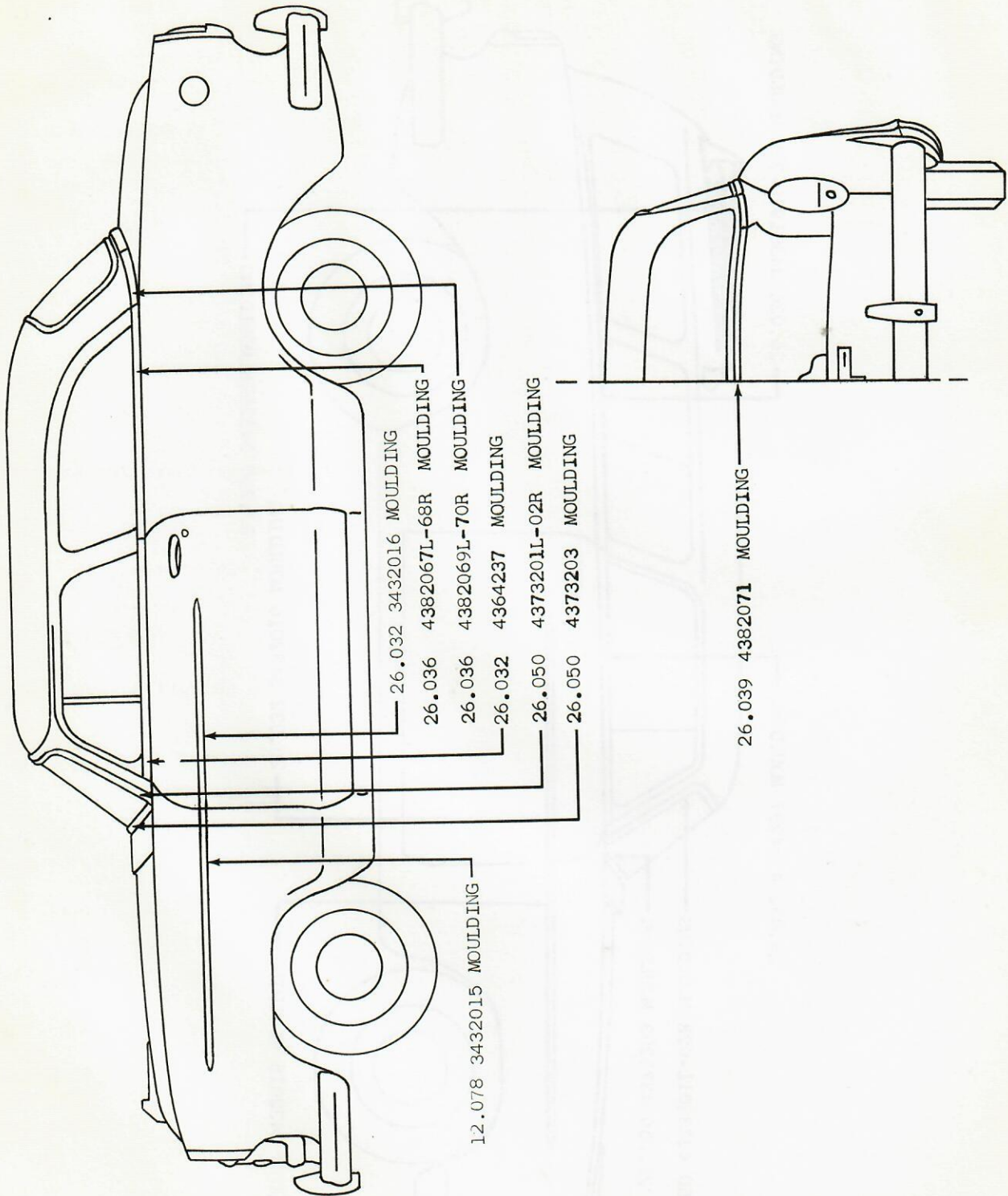


AMERICAN MOTORS PARTS CATALOG

GROUP 26 BODY MOULDINGS

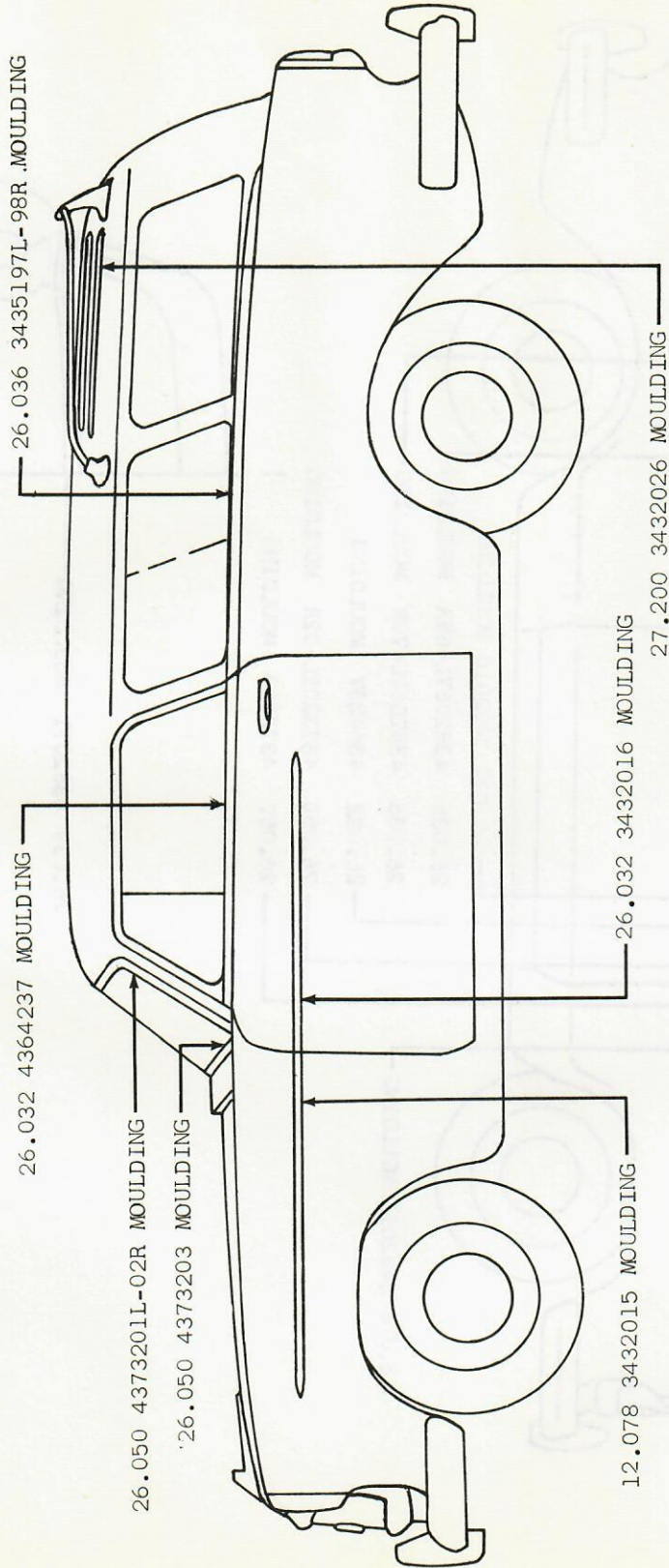
DESCRIPTION	GROUP AND FIGURE NO.	GROUP NO.
COVER, Door Belt Ledge	26-3, 26-4, 26-5, 26-6, 26-7, 26-8, 26-9, 26-10	26.031
COVER, Drip Moulding Snap On	26-7, 26-8, 26-9, 26-10	26.075
COVER, Rear Window Reveal Moulding	26-3, 26-5, 26-7, 26-9	26.058
MOULDING, Center Body Pillar Belt	26-3, 26-4, 26-5, 26-6, 26-7, 26-8, 26-9, 26-10	26.033
MOULDING, Front Door	26-1, 26-2, 26-3, 26-4, 26-5, 26-6, 26-7, 26-8 26-9, 26-10	26.032
MOULDING, Front Door Finish	26.010
MOULDING, Rear Deck Lower Center Panel	26-9	26.037
MOULDING, Rear Deck Upper Center Belt	26-1	26.039
MOULDING, Rear Door	26-3, 26-4, 26-5, 26-6, 26-7, 26-8, 26-9 26-10, 23-10	26.034
MOULDING, Rear Door Finish	26.014
MOULDING, Rear Quarter Body Belt	26-1, 26-2	26.036
MOULDING, Rear Quarter Finish	25-3	26.018
MOULDING, Rear Quarter Window Reveal	26-4, 26-6, 26-8, 26-10	26.056
MOULDING, Rear Window Finish	25-5	26.020
MOULDING, Rear Window Reveal	26-3, 26-4, 26-5, 26-6, 26-7, 26-8, 26-9, 26-10	26.058
MOULDING, Side Roof Rail Finish	26.028
MOULDING, Tailgate	26-8, 26-10	26.096
MOULDING, Tailgate Reveal	26-4, 26-6, 26-8, 26-10, 25-1	26.100
MOULDING, Windshield Finish	26.001
MOULDING, Windshield Reveal	26-1, 26-2, 26-3, 26-4, 26-5, 26-6, 26-7, 26-8 26-9, 26-10	26.050
ORNAMENT, Rear Deck (Handle)	0-2, 0-6	26.095
PANEL, Front Door Overlay	26-9, 26-10	26.032
PANEL, Rear Door Overlay	26-9, 26-10	26.034
PANEL, Windshield Side Trim	26-3, 26-4, 26-5, 26-6, 26-7, 26-8, 26-9, 26-10	26.050
PLATE, Front Door Lock Face Finish	23-3	26.032
PLATE, Rear Door Lock Face Finish	23-5	26.034

AMERICAN MOTORS PARTS CATALOG



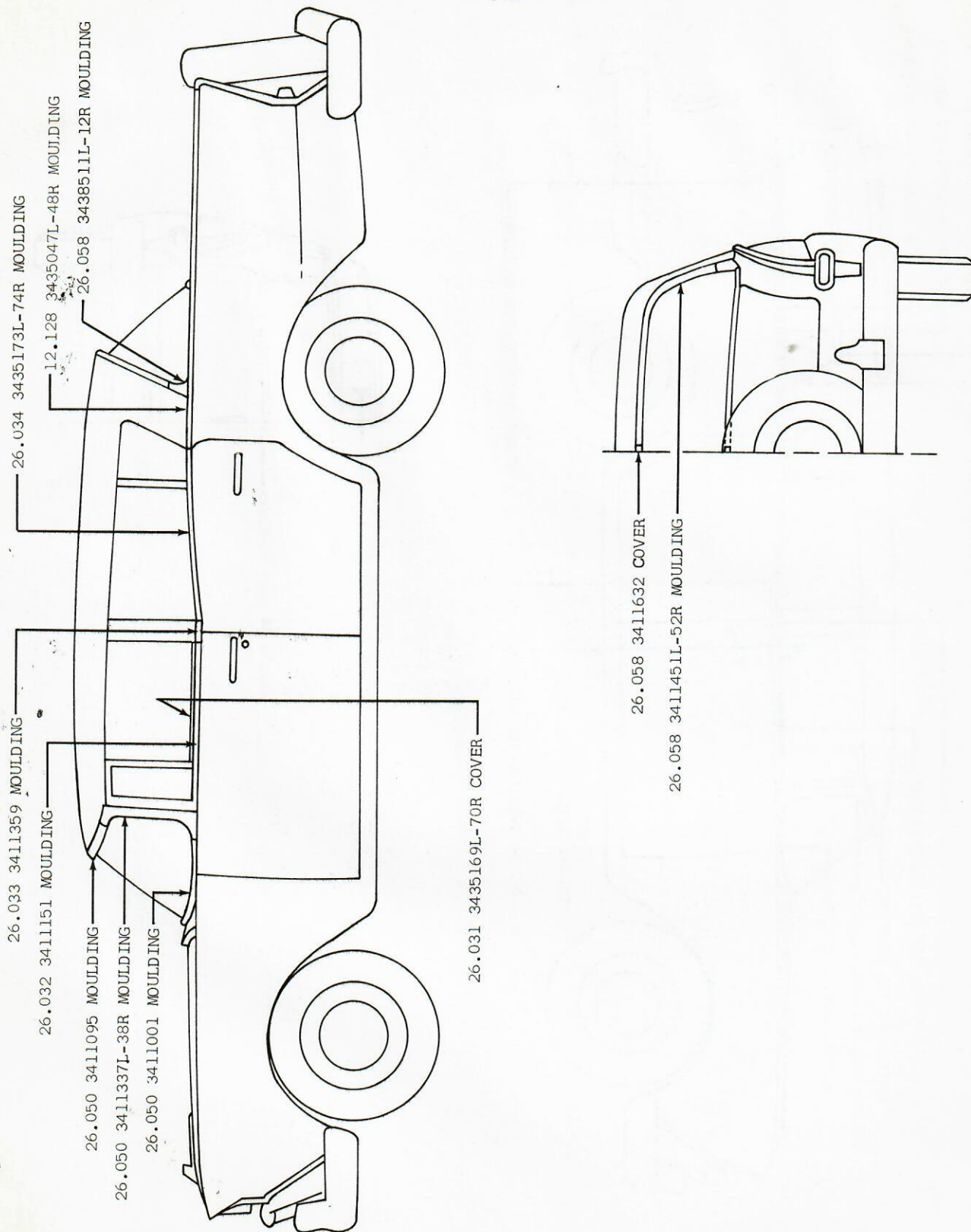
GROUP 26 - FIG. 1 - OUTSIDE MOULDINGS - AMERICAN 2 DOOR SUPER

AMERICAN MOTORS PARTS CATALOG



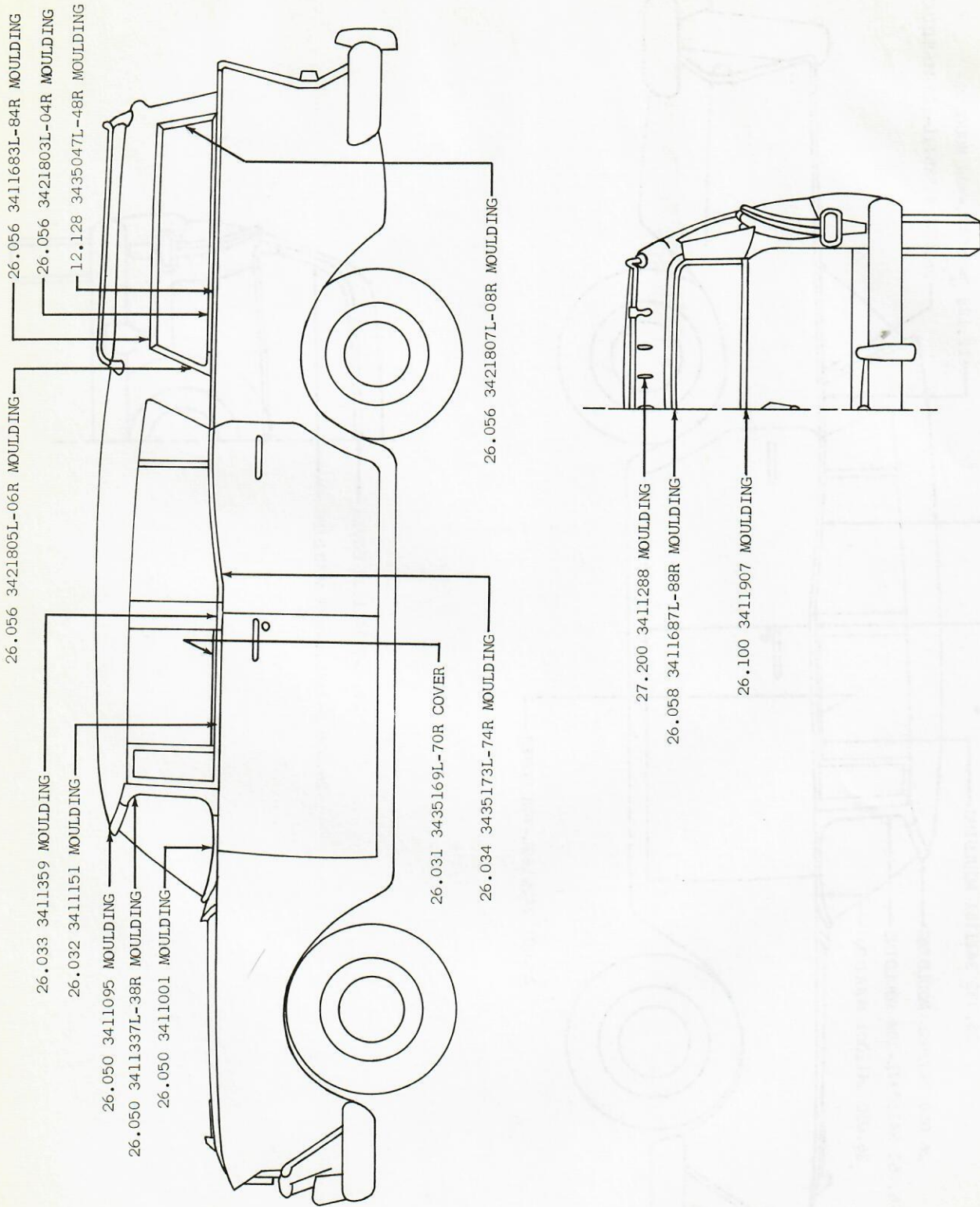
GROUP 26 - FIG. 2 - OUTSIDE MOULDINGS - AMERICAN WAGON SUPER

AMERICAN MOTORS PARTS CATALOG



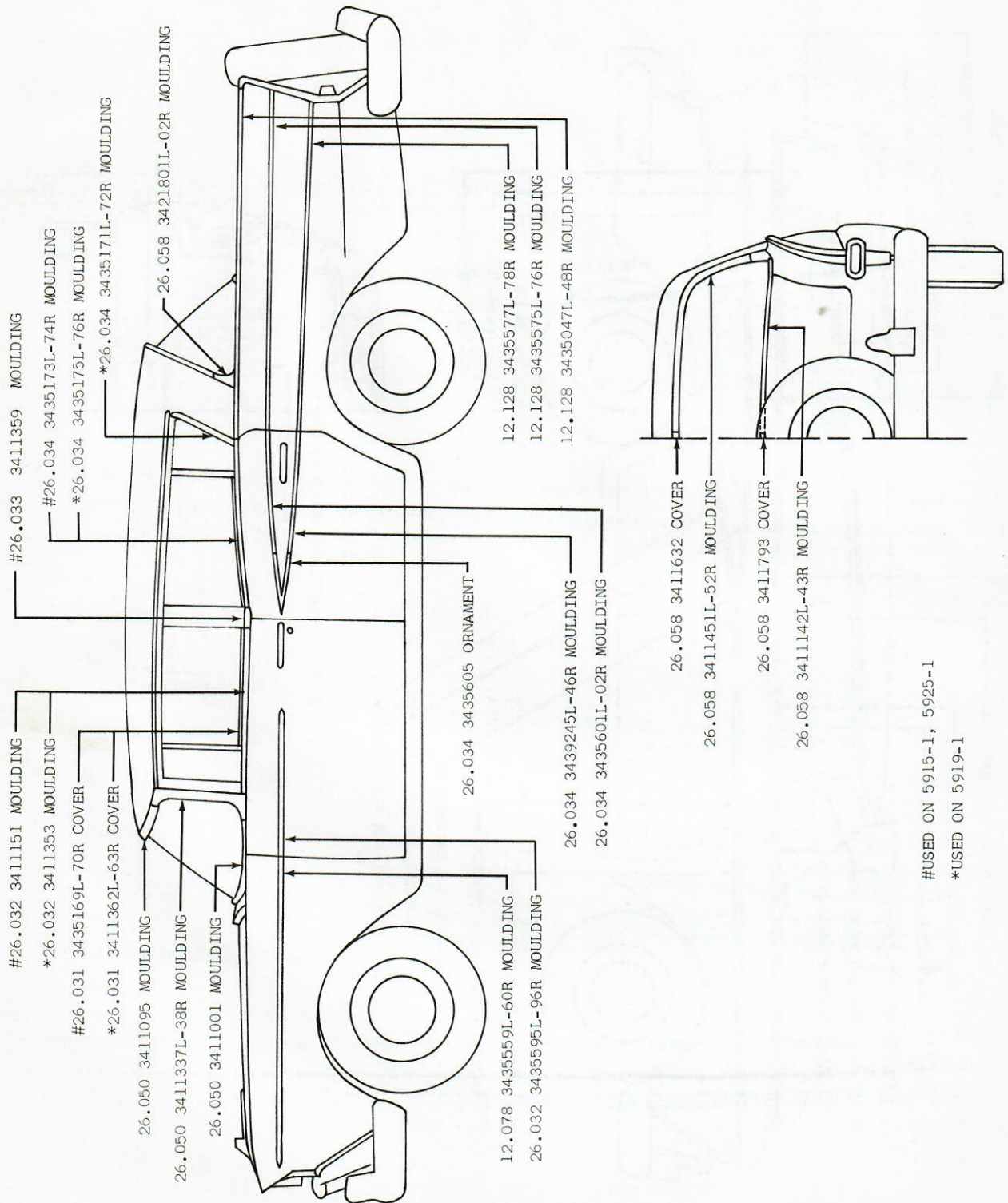
GROUP 26 - FIG. 3 - OUTSIDE MOULDINGS - RAMBLER 4 DOOR DELUXE

AMERICAN MOTORS PARTS CATALOG



GROUP 26 - FIG. 4 - OUTSIDE MOULDINGS - RAMBLER WAGON DELUXE

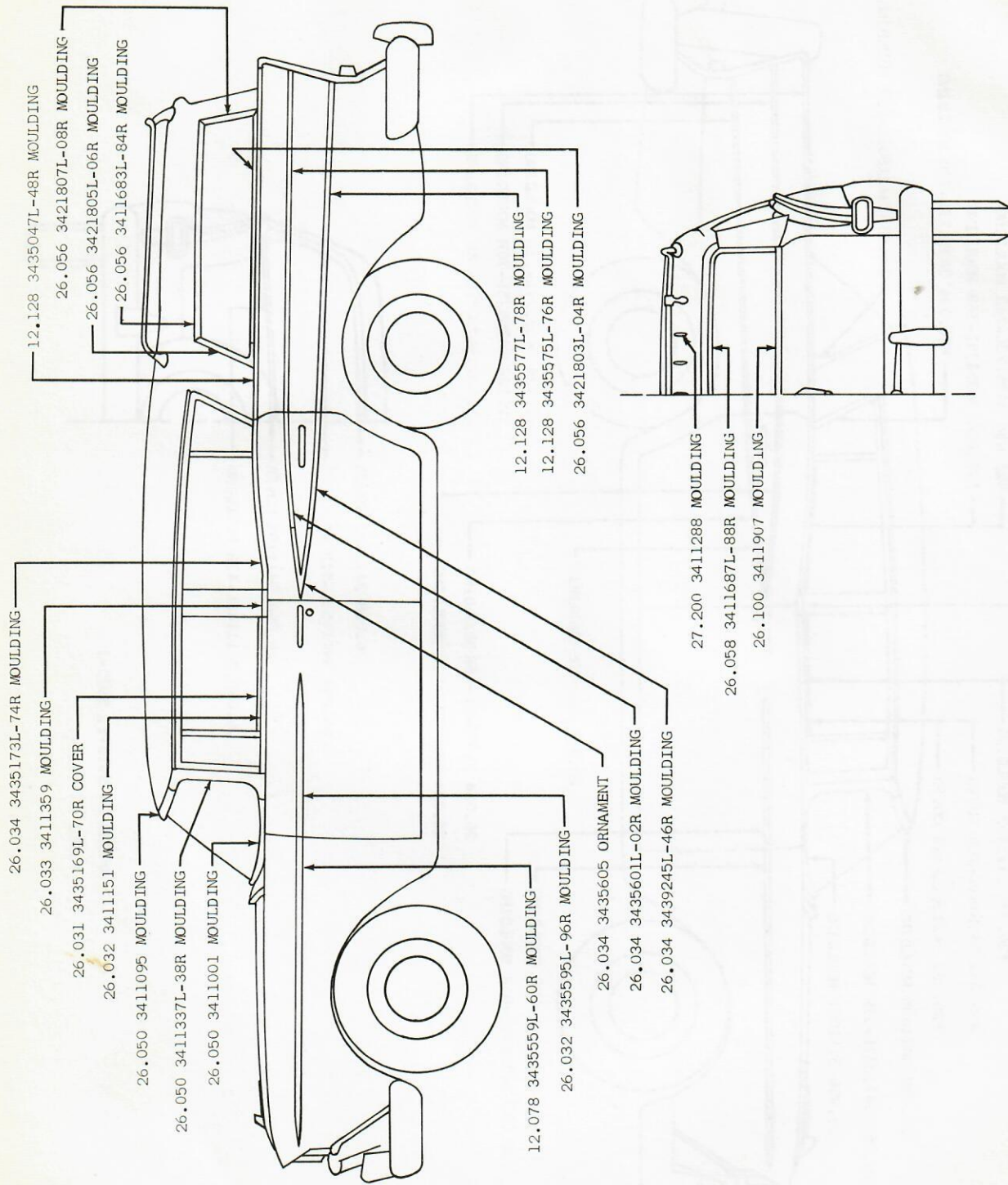
AMERICAN MOTORS PARTS CATALOG



#USED ON 5915-1, 5925-1
 *USED ON 5919-1

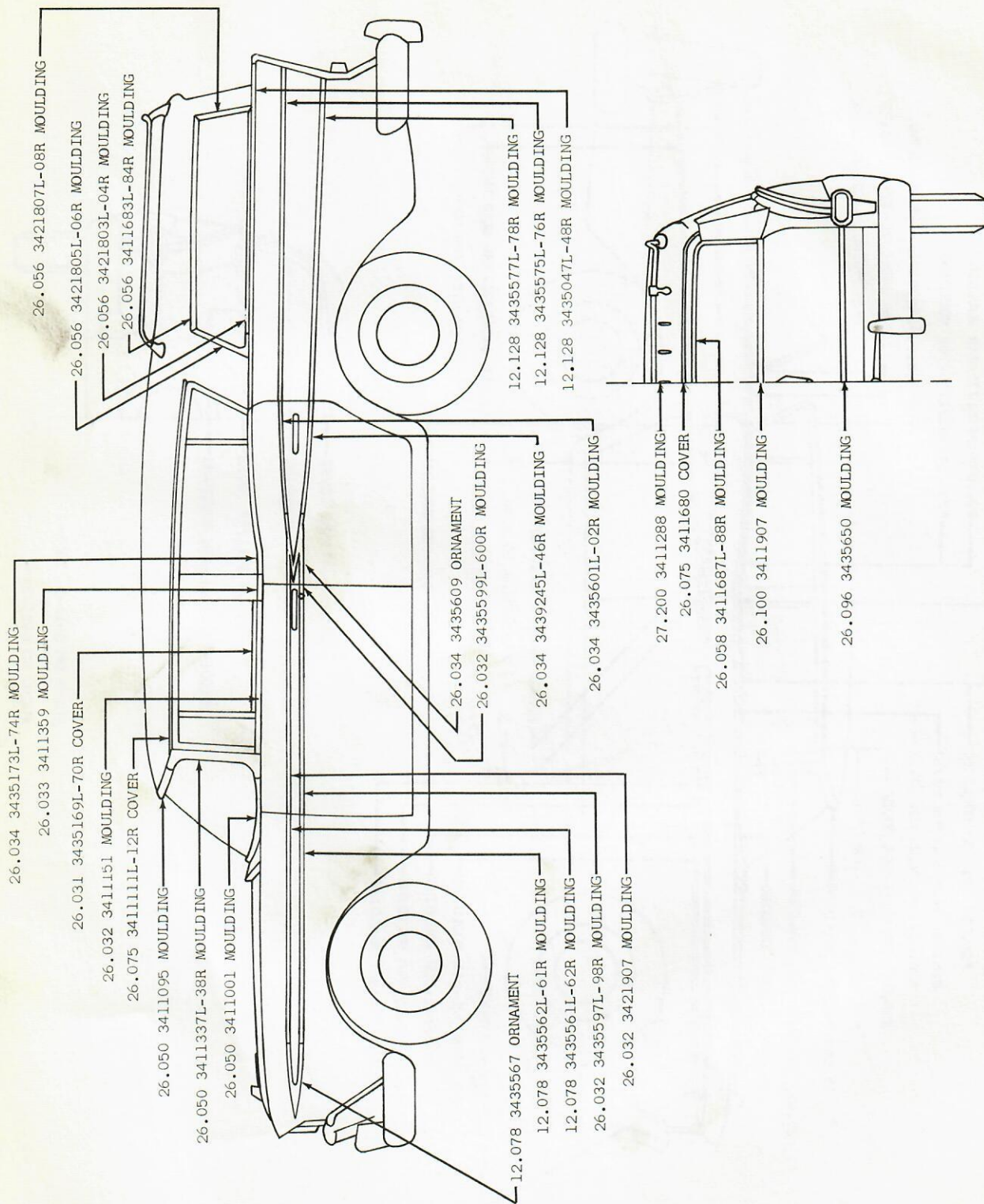
GROUP 26 - FIG. 5 - OUTSIDE MOULDINGS - RAMBLER 4 DOOR SUPER

AMERICAN MOTORS PARTS CATALOG



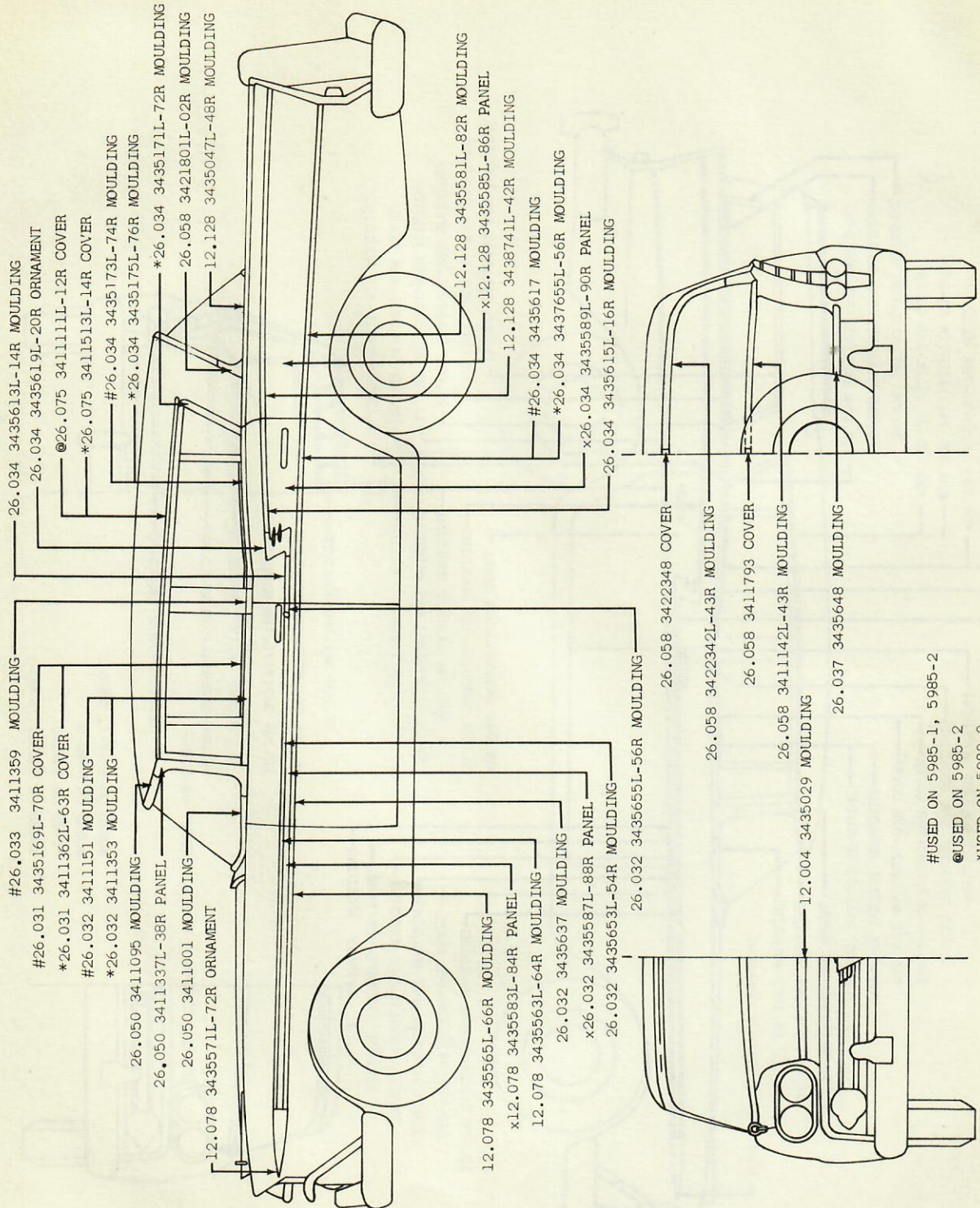
GROUP 26 - FIG. 6 - OUTSIDE MOULDINGS - RAMBLER WAGON SUPER

AMERICAN MOTORS PARTS CATALOG



GROUP 26 - FIG. 8 - OUTSIDE MOULDINGS - RAMBLER WAGON CUSTOM

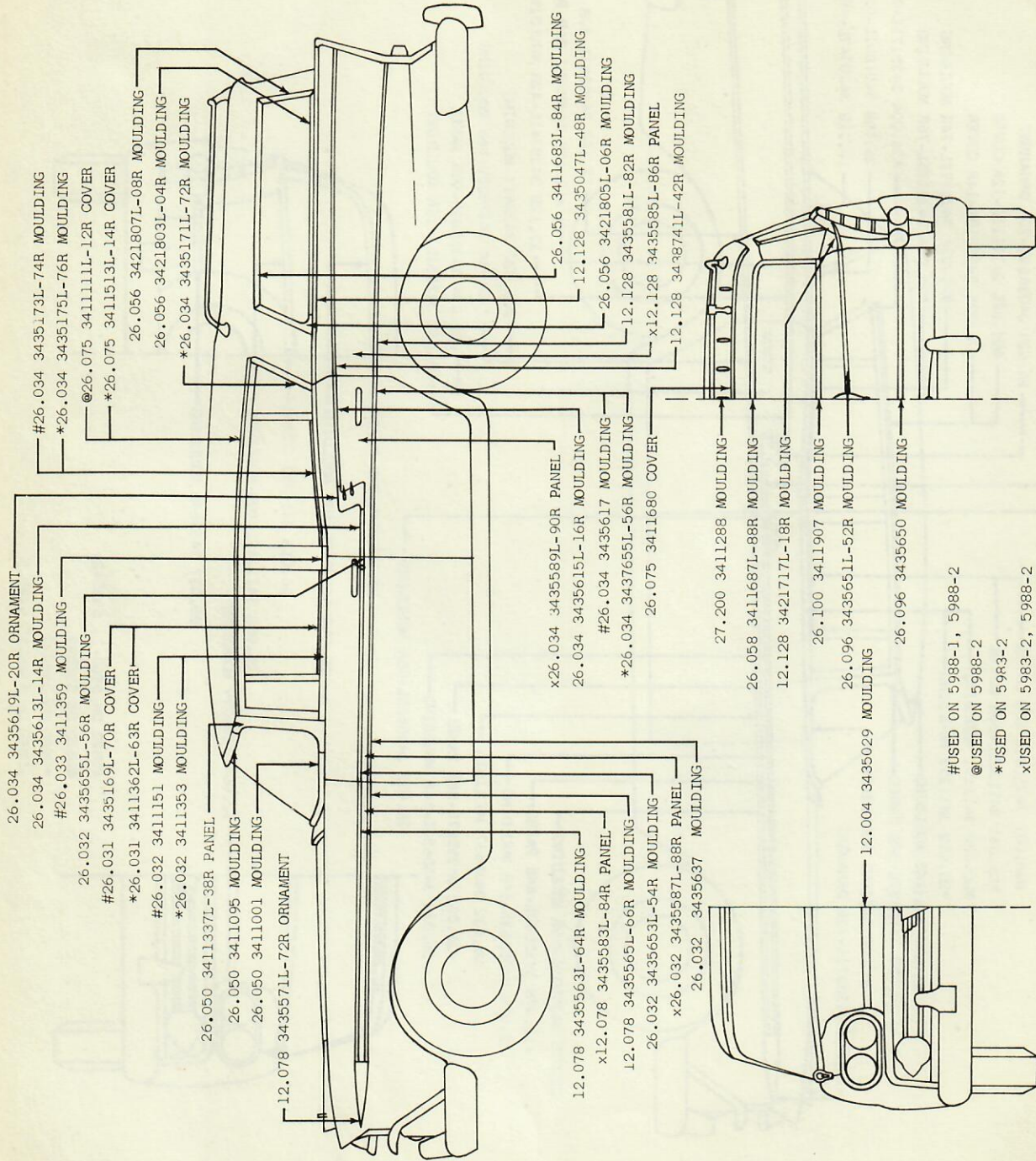
AMERICAN MOTORS PARTS CATALOG



#USED ON 5985-1, 5985-2
 @USED ON 5985-2
 *USED ON 5989-2
 xUSED ON 5985-2, 5989-2

GROUP 26 - FIG. 9 - OUTSIDE MOULDINGS - AMBASSADOR 4 DOOR

AMERICAN MOTORS PARTS CATALOG



#USED ON 5988-1, 5988-2
 @USED ON 5988-2
 *USED ON 5983-2
 xUSED ON 5983-2, 5988-2

GROUP 26 - FIG. 10 - OUTSIDE MOULDINGS - AMBASSADOR WAGON

AMERICAN MOTORS PARTS CATALOG

26.017

DESCRIPTION	YEAR AND MODEL	PER CAR	PART NO.
GROUP 26 BODY MOULDINGS			
26.001 MOULDING, Windshield Finish (Note 26.001-1)			
MOULDING (Upper).....	59 01.....	1	340 0556
	59 10-20-80.....	1	341 1520
(Lower).....	59 10-20-80.....	1	341 1497
(Left).....	59 01.....	1	340 0553
(Right).....	59 01.....	1	340 0554
(Side)(Left).....	59 01.....	1	340 0557
	59 10-20-80.....	1	341 1479
(Right).....	59 01.....	1	340 0558
	59 10-20-80.....	1	341 1480
COVER, Lower.....	59 01.....	1	340 0536
SCREW, Upper And Side.....	59 01.....	14	G162413
	59 10-20-80.....	14	G162416
Lower (#8-15 x 1-1/2).....	59 01.....	8	G162418
(#8-15 x 3/4).....	59 01.....	2	G168496
	59 10-20-80.....	11	G162421
SEAL, Defroster Opening.....	59 01.....	4	437 3265
26.010 MOULDING, Front Door Finish (Note 26.001-1)			
MOULDING (Incl. w/Strip)(Left).....	59 01.....	1	340 0537
	59 15-18-25-28.....	1	447 8037
	59 19-29.....	1	447 8039
(Right).....	59 01.....	1	340 0538
	59 15-18-25-28.....	1	447 8038
	59 19-29.....	1	447 8040
CLIP.....	59 10-20-80.....	4	436 8095
SCREW (#8 x 3/8).....	59 01-10-20-80.....	6	800 0272
(#10-12 x 3/4).....	59 10-20-80.....	2	G443946
(#10-12 x 1/2).....	59 10-20-80.....	2	G186469
26.014 MOULDING, Rear Door Finish (Note 26.001-1)			
MOULDING (Incl. w/Strip)(Left).....	59 15-18-25-28.....	1	447 8317
	59 19-29.....	1	447 8315
(Right).....	59 15-18-25-28.....	1	447 8318
	59 19-29.....	1	447 8316
CLIP.....	59 15-18-25-28-85-88.....	4	436 8095
	59 19-29-83-89.....	2	436 8095
(Front).....	59 19-29-83-89.....	2	341 6753
SCREW (#8 x 3/8).....	59 10-20-80.....	8	800 0272
(#8 x 1/2).....	59 19-29.....	4	G161860
26.017 MOULDING, Front And Rear Side Window Finish (Note 26.001-1)			
MOULDING (Left)(Front)(Upper).....	59 04.....	1	343 1832
(Lower).....	59 04.....	1	340 0532
(Rear)(Upper).....	59 04.....	1	340 0530
(Lower).....	59 04.....	1	340 0528
(Right)(Front)(Upper).....	59 04.....	1	343 1833
(Lower).....	59 04.....	1	340 0533

NOTE 26.001-1: These Parts will be serviced in Prime. Déaler must paint to desired color.

AMERICAN MOTORS PARTS CATALOG

(Rear)(Upper).....	59 04.....	1	340 0531
(Lower).....	59 04.....	1	340 0529
SCREW (Front)(Upper).....	59 04.....	12	432 3649
(Lower).....	59 04.....	8	800 0272
(Rear)(Upper).....	59 04.....	12	432 3649
(Lower).....	59 04.....	8	800 0272

26.018 MOULDING, Rear Quarter Window Finish (Note 26.001-1)

MOULDING (Left)(Front).....	59 18-28-83-88.....	1	341 1723
(Rear).....	59 18-28-83-88.....	1	341 1757
(Incl. W/Strip)(Horizontal)....	59 02-06.....	1	342 5939
(Right)(Front).....	59 18-28-83-88.....	1	341 1724
(Rear).....	59 18-28-83-88.....	1	341 1758
(Incl. W/Strip)(Horizontal)....	59 02-06.....	1	342 5940
SCREW.....	59 02-06.....	10	800 0272
	59 18-28-83-88.....	20	G162416

26.020 MOULDING, Rear Window Finish (Note 26.001-1)

MOULDING (Upper)(Left).....	59 15-19-25-29-85-89.....	1	341 1381
(Right).....	59 15-19-25-29-85-89.....	1	341 1382
(Incl. Channel).....	59 18-28-83-88.....	1	447 7381
(Lower)(Center).....	59 15-19-25-29-85-89.....	1	341 1300
(Side)(Left).....	59 15-19-25-29-85-89.....	1	341 1301
(Right).....	59 15-19-25-29-85-89.....	1	341 1302
COVER (Upper).....	59 15-19-25-29-85-89.....	1	341 1843
(Lower).....	59 15-19-25-29-85-89.....	2	341 1399
SCREW (Upper)(#6-18 x 3/8).....	59 18-28-83-88.....	6	G161790
(#8-15 x 1-1/4).....	59 15-19-25-29-85-89.....	9	G162416
(#8-15 x 1-3/4).....	59 15-19-25-29-85-89.....	2	G162421
(Lower).....	59 15-19-25-29-85-89.....	4	G162421
(Center).....	59 15-19-25-29-85-89.....	3	G162421

26.028 MOULDING, Side Roof Rail Finish (Note 26.001-1)

MOULDING (Left).....	59 19-29-83-89.....	1	341 1539
(Right).....	59 19-29-83-89.....	1	341 1540
SCREW.....	59 19-29-83-89.....	14	G168496

26.031 COVER, Door Belt Ledge

COVER (Left)(Front).....	59 15-18-25-28-85-88.....	1	343 5169
	59 19-29-83-89.....	1	341 1362
(Right)(Front).....	59 15-18-25-28-85-88.....	1	343 5170
	59 19-29-83-89.....	1	341 1363
SCREW.....	59 10-20-80.....	10	G161790

26.032 MOULDING - PANEL, Front Door

MOULDING, Front Door

MOULDING (Belt).....	59 01.....	2	436 4237
	59 15-18-25-28-85-88.....	2	341 1151
	59 19-29-83-89.....	2	341 1353
(Left)(Upper).....	59 01.....	1	343 2016
	59 10-20 (Super).....	1	343 5595
	59 10-20 (Custom).....	1	342 1907
(Front).....	59 80.....	1	343 5653

AMERICAN MOTORS PARTS CATALOG

26.034

(Rear).....	59 80.....			1 343 5655
(Lower).....	59 80.....			1 343 5637
(Front).....	59 10-20 (Custom).....			1 343 5597
(Rear).....	59 10-20 (Custom).....			1 343 5599
(Right)(Upper).....	59 01.....			1 343 2016
	59 10-20 (Super).....			1 343 5596
	59 10-20 (Custom).....			1 342 1907
(Front).....	59 80.....			1 343 5654
(Rear).....	59 80.....			1 343 5656
(Lower).....	59 80.....			1 343 5637
(Front).....	59 10-20 (Custom).....			1 343 5598
(Rear).....	59 10-20 (Custom).....			1 343 5600
PLATE, Door Lock Face (Left).....	59 19-29-83-89.....			1 341 6705
(Right).....	59 19-29-83-89.....			1 341 6706
CLIP, Belt Moulding.....	59 10-20-80.....			8 341 1546
Upper Moulding.....	59 01.....			6 439 6858
	59 10-20 (Super).....			6 343 0825
	59 10-20 (Super).....			2 343 0792
	59 10-20 (Custom): 59 80.....			12 343 0792
Lower Front Moulding.....	59 10-20 (Custom).....			12 343 0792
Moulding.....	59 80.....			12 343 7628
FASTENER, Upper Moulding.....	59 10-20 (Super).....			2 341 6585
BOLT, Tee (#10-24 x .50 Lg.).....	59 01.....			4 343 2019
(#10-24 x .31 Lg.).....	59 10-20 (Custom).....			2 343 9927
NUT, Upper Moulding.....	59 01.....			2 439 0742
Rear Moulding.....	59 80.....			2 343 5050
Lower Rear Moulding.....	59 10-20 (Custom).....			2 343 5050

PANEL, Front Door Overlay

PANEL (Left).....	59 80 (Custom).....			1 343 5587
(Right).....	59 80 (Custom).....			1 343 5588

26.033 MOULDING, Center Body Pillar Belt

MOULDING.....	59 15-18-25-28-85-88.....			2 341 1359
CLIP.....	59 15-18-25-28-85-88.....			4 437 7405

26.034 MOULDING - PANEL, Rear Door

MOULDING, Rear Door

MOULDING (Left)(Belt).....	59 15-18-25-28-85-88.....			1 343 5173
	59 19-29-83-89.....			1 343 5175
(Vent. Frame).....	59 19-29-83-89.....			1 343 5171
(Upper).....	59 10-20.....			1 343 5601
(Front).....	59 80.....			1 343 5613
(Rear).....	59 80.....			1 343 5615
(Lower).....	59 10-20.....			1 343 9245
	59 85-88.....			1 343 5617
	59 83-89 (Custom).....			1 343 7655
(Right)(Belt).....	59 15-18-25-28-85-88.....			1 343 5174
	59 19-29-83-89.....			1 343 5176
(Vent. Frame).....	59 19-29-83-89.....			1 343 5172
(Upper).....	59 10-20.....			1 343 5602
(Front).....	59 80.....			1 343 5614
(Rear).....	59 80.....			1 343 5616
(Lower).....	59 10-20.....			1 343 9246

AMERICAN MOTORS PARTS CATALOG

	59 85-88.....	1	343 5617
	59 83-89 (Custom).....	1	343 7656
ORNAMENT.....	59 10-20 (Super).....	2	343 5605
	59 10-20 (Custom).....	2	343 5609
	(Left).....	1	343 5619
	(Right).....	1	343 5620
CLIP, Belt Moulding Center.....	59 10-20-80.....	2	343 7672
Upper Moulding.....	59 10-20.....	4	343 0792
Front Moulding.....	59 80.....	4	343 0792
Rear Moulding.....	59 80.....	6	343 0792
Lower Moulding.....	59 10-20.....	4	343 0792
	59 80.....	8	343 7628
CLIP, Ornament.....	59 10-20 (2 On Super)(6 On Custom).....	AR	343 5006
	59 80.....	6	343 5006
BOLT, Upper Moulding Tee.....	59 10-20.....	2	343 9927
Rear Moulding Tee.....	59 80.....	2	343 9927
Lower Moulding Tee.....	59 10-20.....	2	343 9927
	59 80.....	2	437 8355
NUT, Belt Moulding Tee Bolt.....	59 10-20.....	2	G446764
Upper Moulding Tee Bolt.....	59 10-20.....	2	439 0742
Front Moulding Tee Bolt.....	59 83-89.....	2	439 0742
Lower Moulding Tee Bolt.....	59 80.....	2	439 0742
SCREW, Belt Moulding (#10-12 x 1/2").....	59 10-20-80.....	2	G161645
(#8 x 3/8")(Truss Head)...	59 10-20-80.....	4	343 7617
(#8 x 1/2")(6 Oval Head).....	59 10-20-80.....	4	G168488
Ornament.....	59 10-20-80.....	4	G455632

PANEL, Rear Door Overlay

PANEL (Left).....	59 80 (Custom).....	1	343 5589
(Right).....	59 80 (Custom).....	1	343 5590

26.036 MOULDING, Rear Quarter Body Belt

MOULDING (Left).....	59 04.....	1	343 5197
(Front).....	59 06.....	1	438 2067
(Rear).....	59 06.....	1	438 2069
(Right).....	59 04.....	1	343 5198
(Front).....	59 06.....	1	438 2068
(Rear).....	59 06.....	1	438 2070
CLIP.....	59 04.....	18	343 5089
	59 06.....	10	434 5349

26.037 MOULDING, Rear Deck Lower Center Panel

MOULDING.....	59 85-89.....	2	343 5648
FASTENER.....	59 85-89.....	6	343 7628

26.039 MOULDING, Rear Deck Upper Center Panel

MOULDING.....	59 06.....	1	438 2071
SCREW.....	59 06.....	6	800 0276

26.050 MOULDING - PANEL, Windshield Reveal

MOULDING Windshield Reveal

MOULDING (Upper).....	59 10-20-80.....	1	341 1095
-----------------------	------------------	---	----------

AMERICAN MOTORS PARTS CATALOG

26.058

(Left).....	59 01.....		1	437 3201
(Right).....	59 01.....		1	437 3202
(Lower).....	59 10-20-80.....		1	341 1001
	59 01.....		1	437 3203
CLIP.....	59 10-20-80.....		3	341 1173
(Corner).....	59 01.....		2	437 3204
(Center).....	59 01.....		1	437 3205
SCREW, Upper Moulding (#8 x 1/2).....	59 10-20-80.....		5	G161645
Lower Moulding (#8 x 1/4).....	59 10-20-80.....		7	800 0276

PANEL, Windshield Side Trim

PANEL (Left).....	59 10-20-80.....		1	341 1337
(Right).....	59 10-20-80.....		1	341 1338
WATERDAM (Left).....	59 10-20-80.....		1	341 0260
(Right).....	59 10-20-80.....		1	341 0261
SCREW (#10 x 3/8).....	59 10-20-80.....		6	439 2506
(#8-15 x 1/2).....	59 10-20-80.....		2	341 6750

26.056 MOULDING, Rear Quarter Window Reveal

MOULDING (Left)(Upper)(Horizontal).....	59 18-28-83-88.....		1	341 1683
(Lower)(Horizontal).....	59 18-28-83-88.....		1	342 1803
(Front)(Vertical).....	59 18-28-83-88.....		1	342 1805
(Rear)(Vertical).....	59 18-28-83-88.....		1	342 1807
(Right)(Upper)(Horizontal).....	59 18-28-83-88.....		1	341 1684
(Lower)(Horizontal).....	59 18-28-83-88.....		1	342 1804
(Front)(Vertical).....	59 18-28-83-88.....		1	342 1806
(Rear)(Vertical).....	59 18-28-83-88.....		1	342 1808
CLIP, Upper And Rear Moulding.....	59 18-28-83-88.....		12	341 1269
SCREW, Front And Lower Moulding (#8 x 7/8).....	59 18-28-83-88.....		10	439 2505
(#8 x 1-1/8)...	59 18-28-83-88.....		4	342 1748

26.058 MOULDING - COVER, Rear Window Reveal

MOULDING, Rear Window Reveal

MOULDING (Upper)(Left).....	59 15-19-25-29.....		1	341 1451
	59 18-28-83-88.....		1	341 1687
	59 85-89.....		1	342 2343
(Right).....	59 15-19-25-29.....		1	341 1452
	59 18-28-83-88.....		1	341 1688
	59 85-89.....		1	342 2344
(Lower)(Left).....	59 15-19-25-29-85-89.....		1	341 1142
(Right).....	59 15-19-25-29-85-89.....		1	341 1143
(Corner)(Left).....	59 15-25-85 (Deluxe).....		1	343 8511
	59 15-19-25-29-85-89.....		1	342 1801
(Right).....	59 15-25-85 (Deluxe).....		1	343 8512
	59 15-19-25-29-85-89.....		1	342 1802
CLIP, Upper And Corner Moulding.....	59 15-19-25-29-85-89.....		14	341 1174
SCREW, Moulding Clip.....	59 15-19-25-29-85-89.....		10	G161860
Upper Moulding (#8 x 7/8).....	59 15-19-25-29-85-89.....		4	439 2505
Lower Corner Moulding.....	59 15-19-25-29-85-89.....		4	G186469
SHIM, Lower Corner Moulding.....	59 15-19-25-29-85-89.....		4	438 8364
SEAL, Lower Corner Moulding.....	59 15-25-85 (Deluxe).....		2	343 9406

AMERICAN MOTORS PARTS CATALOG

COVER, Rear Window Reveal

COVER (Center).....	59 15-19-25-29.....	1	341 1632
	59 85-89.....	1	342 2348
(Lower)(Joint).....	59 15-19-25-29-85-89.....	1	341 1793

26.075 COVER, Drip Moulding Snap On

COVER (Left).....	59 15-18-25-28-85-88.....	1	341 1111
	59 19-29-83-89.....	1	341 1513
(Right).....	59 15-18-25-28-85-88.....	1	341 1112
	59 19-29-83-89.....	1	341 1514
(Rear).....	59 18-28-83-88.....	1	341 1680

26.095 ORNAMENT - MOULDING, Rear Deck Handle

ORNAMENT (Handle)(Cp.).....	59 01.....	1	342 5852
	59 15-19-25-29: 59 85-89 (WWC).....	1	343 5085
	59 85-89 (LWC).....	1	343 0580
NUT.....	59 01.....	2	G120375
	59 15-19-25-29: 59 85-89 (WWC).....	2	341 1607
	59 85-89 (LWC).....	4	342 1988
WASHER (Lock).....	59 01.....	2	G120380
(Plain).....	59 01.....	2	G120392

26.096 MOULDING, Tailgate

MOULDING (Upper)(Left).....	59 83-88.....	1	343 5651
(Right).....	59 83-88.....	1	343 5652
(Lower).....	59 18-28-83-88.....	1	343 5650
FASTENER, Upper Moulding.....	59 83-88.....	8	343 0792
Lower Moulding.....	59 18-28-83-88.....	7	343 7628

26.100 MOULDING, Tailgate Reveal

MOULDING (Incl. W/Strip).....	59 18-28-83-88.....	1	341 1907
FASTENER.....	59 18-28-83-88.....	7	341 1835